

# Everton Roller Shutters

## Install Tips

### Tools Required:

- Spirit level.
- Drill.
- Hammer.
- 10mm drill bit.
- 5mm drill bit.
- 5 or 6mm Masonry drill bit depending on wall plug size chosen, and screws to suit. For timber frame windows, just screws.

### Step 1

- Mark the top horizontal position of the Roller Shutter on the wall above the window. On this line mark the width of the shutter. From these 2 marks, vertically level down each side of the window. You will now have the outline of the Roller Shutter marked on the wall. At this stage you can check the Roller Shutter is central to the window and is exactly horizontal and vertical -- **This Is Most Important!**

**HARDWIRED ELECTRIC MOTORS ONLY** With the outline of your shutter now marked on the wall, you can now decide the best point of entry for the mains power and pre drill the hole before installing (if required).

**In-Reveal** is the same principle, but your window is your horizontal and vertical position. Still check that they are exactly horizontal and vertical -- **This Is Most Important!**

### Step 2

- Measure the height of the head box Then from the top horizontal position of the Roller Shutter which you have marked on the wall, measure this distance down each side. This will then give you the position for the top of the guide on each side of the window. For In-Reveal Roller Shutters you can now cut the guide to the exact length, and angle of the sill.

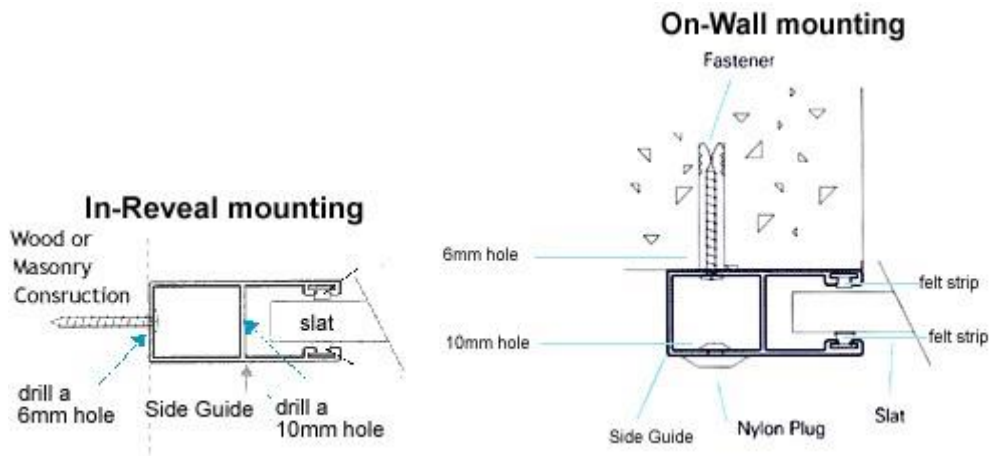
### Step 3

- Hold the guide in the 2 positions marked. Top of guide position (as in step 2) and the vertical guide position (as in step 1). You can now mark the best position to fix the guide to the wall and these marks can be transferred to the other side guide. You can now drill through the front and back of the guide; the drill size is determined by the size of screw you use. The front of the guide will need a 10mm hole in which the 10mm coloured guide plugs are inserted - this then covers up the fixing points.

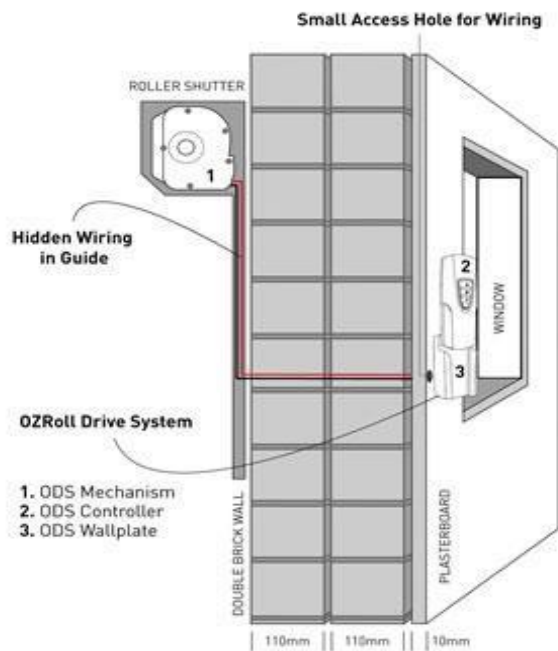
For In-Reveal: The fixing holes are drilled from the curtain side 10mm to the outside 5mm. No 10mm coloured plug is required.

# Everton Roller Shutters

## Install Tips



**BATTERY OPERATED ONLY** From inside the house find the desired position of the controller, then transfer this position to the outside wall behind the guide. Then drill through the wall. This hole is for the cable to the wall plate as shown below.



# Everton Roller Shutters

## Install Tips

### Step 4

- The head box comes with pre drilled holes to attach the head box cover after installation. The guide legs can now be slid into position, (die cast legs that fit onto the bottom corner of each side of the Head box, and connect the main assembly to the roller shutter guides, remove the rubber rings first.) then slide the Roller Shutter guides on each side leg. Carefully place the Roller Shutter on the outline of the Roller Shutter marked on the wall and mark your fixing points.  
Then drill and plug the wall if masonry; if it is a timber wall, just a pilot hole to suit the fixing screws.

**BATTERY OPERATED ONLY** On the back of the guide drill a 10mm hole to allow the motor cable to exit the guide and enter the home

### Step 5

- Carefully place the Roller shutter next to the window, then:

**HARDWIRED ELECTRIC MOTORS ONLY** feed the cable from the motor through the hole you have pre drilled in Step 1, this will help the electrician.

**BATTERY OPERATED ONLY** Through the cable hole in the wall insert a piece of wire, then attach the cable from the Roller shutter to the wire and start pulling the cable into the house.

- Raise the Roller shutter to the outline of the Roller shutter marked on the wall and then screw the Roller shutter to the wall.

**For On-Wall Installation** then insert the 10mm coloured guide plugs.

**THE CURTAIN WILL NOT MOVE UNTIL THE MOTOR HAS POWER TO TURN THE AXLE**

# Everton Roller Shutters

## Install Tips

### Step 6

#### HARDWIRED ELECTRIC MOTORS ONLY

#### THE MOTOR MUST BE CONNECTED TO THE POWER SUPPLY BY A QUALIFIED ELECTRICIAN

At the motor end of the Roller Shutter you will see a Yellow and a White button. These are to set the stop position of the Roller Shutter at the fully open and fully closed position.



electric motor on left side of roller shutter



electric motor on right side of roller shutter.

White button is to set the down limit, the yellow button is to set the upper limit.

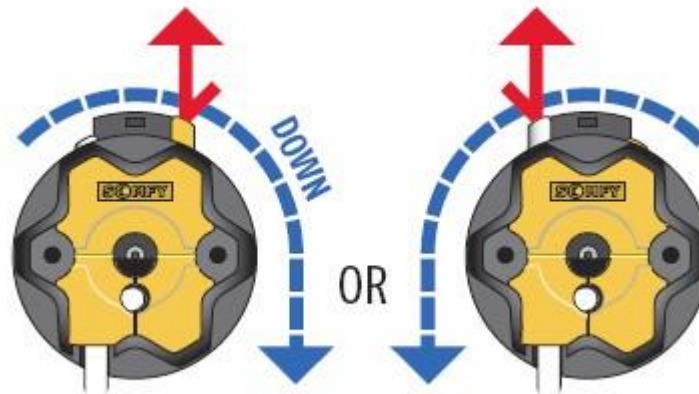
Yellow button is to set the down limit, the white button is to set the upper limit.

With both buttons depressed, you can now commence to set your 'up' and 'down' limits. It would be advisable to begin the limit setting with the curtain in the middle position and practice setting the limits until you are confident and comfortable with this procedure.

# Everton Roller Shutters

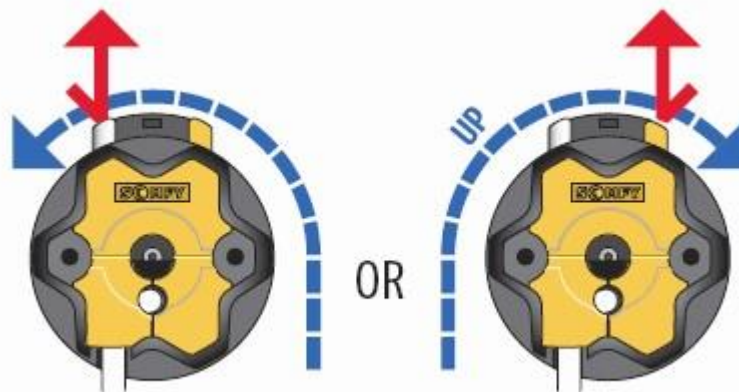
## Install Tips

**Setting the lower limit position:** Power the motor down and stop the product at the Down limit position. Press the corresponding limit button on the motor until the button springs up. The lower limit position has been set.



### Setting the up limit position:

Power the motor up and stop the product at the Up limit position. Press the corresponding limit button on the motor until the button springs up. The upper limit position has been set.



**Please note:** If the shutter height limit is not set correctly, the bottom bar of the curtain has a bottom bar V stopper each side, which stops the curtain from going completely into the head box, but this causes the motor to jam and stop, this should be avoided and the up limit set to stop the curtain before this happens.

# Everton Roller Shutters

## Install Tips

### BATTERY OPERATED ONLY

The cable can now be clipped into the wall plate, and fixed to the wall.

When the controller is fully charged, place it in the wall plate and check the operation of the curtain. If the curtain runs in the opposite direction to the indicated arrow, swap the wires around on the wall plate

Standard roller shutters under 4 square meters in size are fitted with the L10 battery motor. This motor is preset in the factory will automatically stop at the fully closed and open positions. By pressing the centre button on the controller, it will stop at any desired position.

If your roller shutter is over 4 square meters in size it will be fitted with the T20 battery motor, The limits are not set by the factory, but a tool is provided with each motor so you can set the "Up" and "Down" end limits.

When adjusting the limits setting screw the Plus(+) will add travel. Minus(-) will reduce travel.

**Please note:** This can take up to 30 rotations of the limits screw on the motor head.

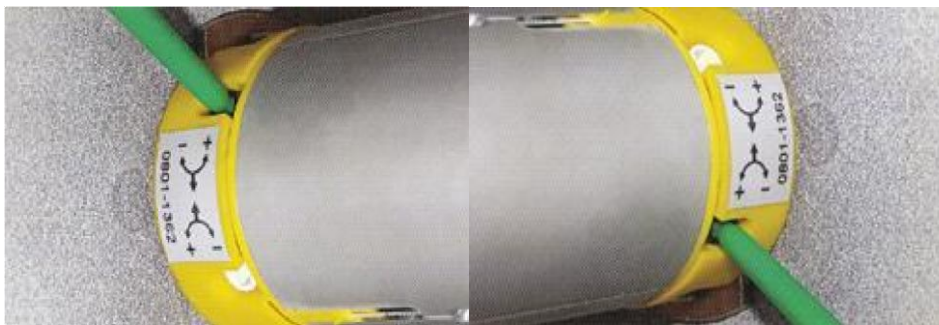
Setting the down stop limits is best done with two people, one near the stop button on the controller inside the house, the other person adjusting the down stop limit screw (shown in picture below) until the curtain stops in the correct position.

To ensure the top stop limit is set correctly, stop the curtain 2 slats down from the bottom of the head box by using the limit screw adjustment. Then adjust the curtain height again by using the limit screw adjustment to stop the curtain 3cm from the bottom of the head box.

If the shutter height limit is not set correctly, the bottom bar of the curtain has a bottom bar V stopper each side, which stops the curtain from going completely into the head box, but this causes the motor to jam and stop, this should be avoided and the up limit set to stop the curtain before this happens.

#### Left-Hand side Instructions

#### Right-Hand side Instructions



Adjust the **White** setting screw to set the Down Stop.  
Adjust the **Black** setting screw to set the Up Stop.

Adjust the **Black** setting screw to set the Down Stop.  
Adjust the **White** setting screw to set the Up Stop.

## Step 6

When the curtain is in the down position you will be able to fix the head box to the wall, this should be done on each side through the head box end plate. Then rivet the head box cover on and you are done!